

PLEASE CHECK WWW.MOLEX.COM FOR LATEST PART INFORMATION

Part Number: [0588660000](#)
Status: **Active**
Description: HMC™ Rectangular Industrial End Bell Cap Assembly, PG36, 29.00 to 33.00mm (1.142 to 1.299" dia. Wire Size, Black Bush, for External Threaded Hoods

Documents:

[3D Model](#) [Product Specification PS-58719-006 \(PDF\)](#)
[Drawing \(PDF\)](#) [RoHS Certificate of Compliance \(PDF\)](#)
[Product Specification PS-58719-005 \(PDF\)](#)

Agency Certification

TUV R72081037

General

Product Family I/O Connectors
 Series 58866
 Application Panel-Mount
 Component Type Bell Cap Assembly
 Product Name HMC™
 Type N/A

Physical

Circuits (Loaded) 48, 72
 Lock to Mating Part Yes
 Material - Metal Brass
 Material - Plating Mating n/a
 Orientation Vertical
 Packaging Type Bag
 Panel Mount N/A
 Pitch - Mating Interface (in) 0.000 In
 Pitch - Mating Interface (mm) 0.00 mm
 Polarized to Mating Part Yes
 Termination Interface: Style N/A
 Waterproof / Dustproof Yes
 Waterproof / Dustproof Type IP65

Electrical

Current - Maximum per Contact N/A

Material Info

Reference - Drawing Numbers

Product Specification PS-58719-005, PS-58719-006, RPS-58719-003, RPS-58719-004, RPS-58719-006, RPS-58719-007, RPS-58719-008
 Sales Drawing SD-58866-002

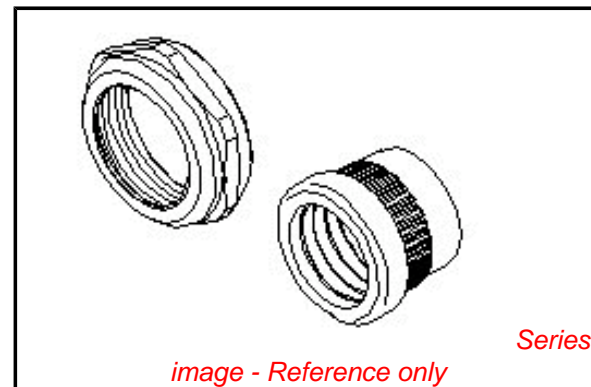


image - Reference only

EU RoHS

RoHS Compliant by Exemption
REACH SVHC Not Reviewed
Halogen-Free Status Not Reviewed

China RoHS



Need more information on product environmental compliance?

Email productcompliance@molex.com
 For a multiple part number RoHS Certificate of Compliance, [click here](#)

Please visit the [Contact Us](#) section for any non-product compliance questions.

Search Parts in this Series

58866Series

Use With

58723-0010 hood

DWG. NO. SD-58866-002

F

D

V

C

B

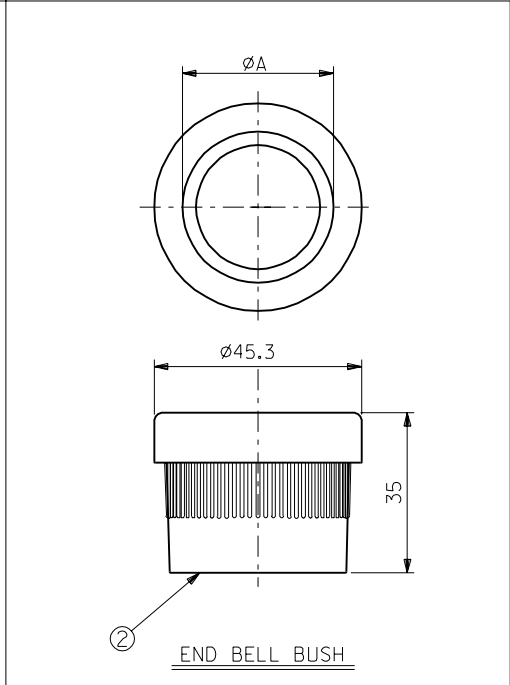
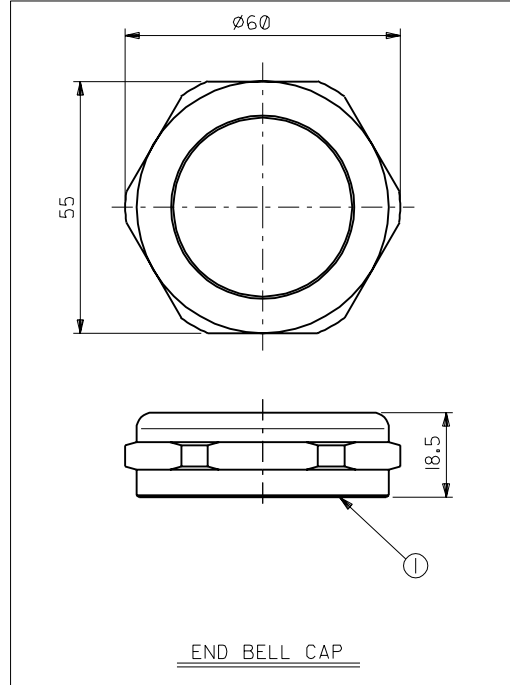
DO NOT SCALE DRAWING

EC NO. DRWN: CHK: APPR:	REVISED '01/05/14 EC No. JD2001-1521 DRWN: S.AKIYAMA CHK: J.MIYAZAWA APPR: H.IKESUGI	REVISED '01/01/22 EC No. JD2001-0972 DRWN: S.AKIYAMA CHK: J.MIYAZAWA APPR: H.IKESUGI	REVISED '99/10/06 EC No. JD2000-0333 DRWN: S.AKIYAMA CHK: J.MIYAZAWA APPR: H.IKESUGI	RELEASED EC No. JD90700'98/11/0 DRWN: Y.TETSUKA CHK: S.AKIYAMA/YO.ITO APPR: H.IKESUGI
REV	DESCRIPTION			
INS. RANGE 被覆外径	MATERIAL 材料			
	FINISH 仕上付			
	WIRE RANGE 適用電線径			

REV	DESCRIPTION	MATERIAL 材料
	SEE CHART	
	FINISH 仕上付	
	WIRE RANGE 適用電線径	

GENERAL TOLERANCES: (UNLESS SPECIFIED) 一般公差		SCALE 1-1	DESIGN UNITS <input checked="" type="checkbox"/> mm <input type="checkbox"/> INCH	DIMENSIONS: THIRD ANGLE PROJECTION	SHT REV
10 UNDER 未満	±0.2			<input type="checkbox"/> mm <input type="checkbox"/> INCH <input type="checkbox"/> mm <input checked="" type="checkbox"/> ONLY	REVISE ON CAD ONLY
10 OVER 以上	±0.25	30 UNDER 未満			
30 OVER 以上	±0.3				
ANGLE 角度	±3°				

DRAWN BY & DATE Y.TETSUKA '98/11/10		CHECKED BY & DATE <i>S. Akiyama</i> '98/11/12		APPROVED BY & DATE <i>H. Ikessugi</i> '98/11/12	
CAD FILE NAME 58866002.S01		MATERIAL NO. SEE CHART		DRAWING NO. SD-58866-002	
SHEET NO. 1 OF 1		SIZE B		TITLE: POWER CONN. END BELL CAP SET (PG36)	
MOLEX INCORPORATED					
THIS DRAWING CONTAINS INFORMATION THAT IS PROPRIETARY TO MOLEX INCORPORATED AND SHOULD NOT BE USED WITHOUT WRITTEN PERMISSION.					



部番 NO.	部品名 PARTS NAME	個数 QUAN.	材質 MATERIAL
①	ケーブル キャップ CABLE CAP	1	黄銅、ニッケルメッキ BRASS, NI PLATING
②	ブッシュ BUSH	1	ポリ塩化ビニル PVC

橙 ORANGE	φ20~φ25	25	58866-0003	58866-****
青 BLUE	φ14~φ18	18	58866-0002	
黄 YELLOW	φ24~φ28	28	58866-0001	
黒 BLACK	φ29~φ33	33	58866-0000	
ブッシュ色 BUSH COLOR	適用電線径 WIRE SIZE	A	MATERIAL NO.	MODEL NO.
製品番号				